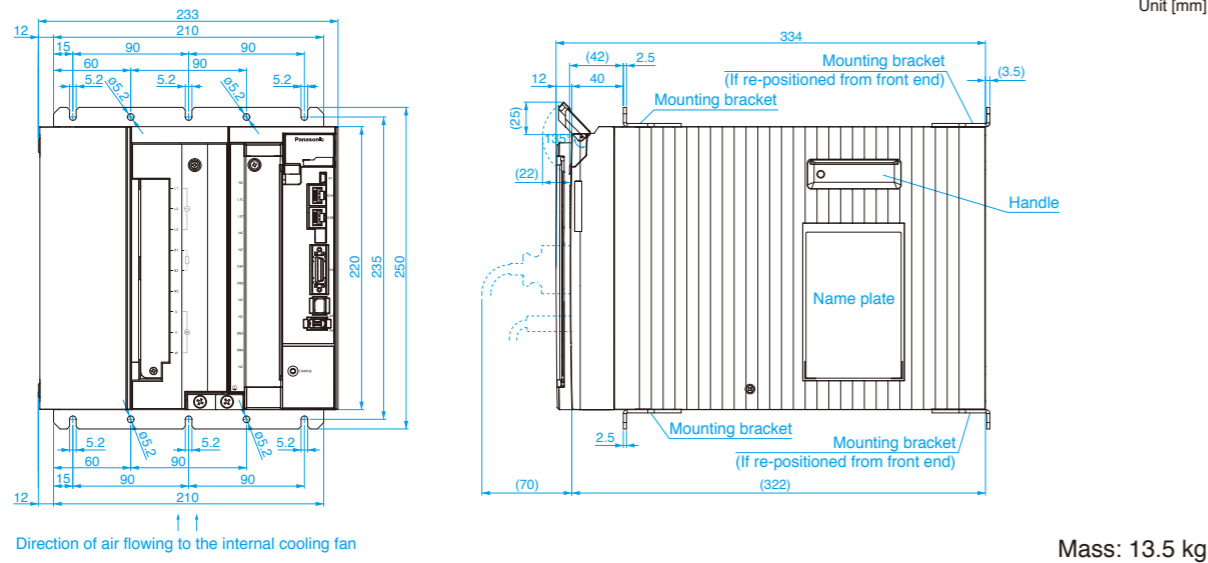
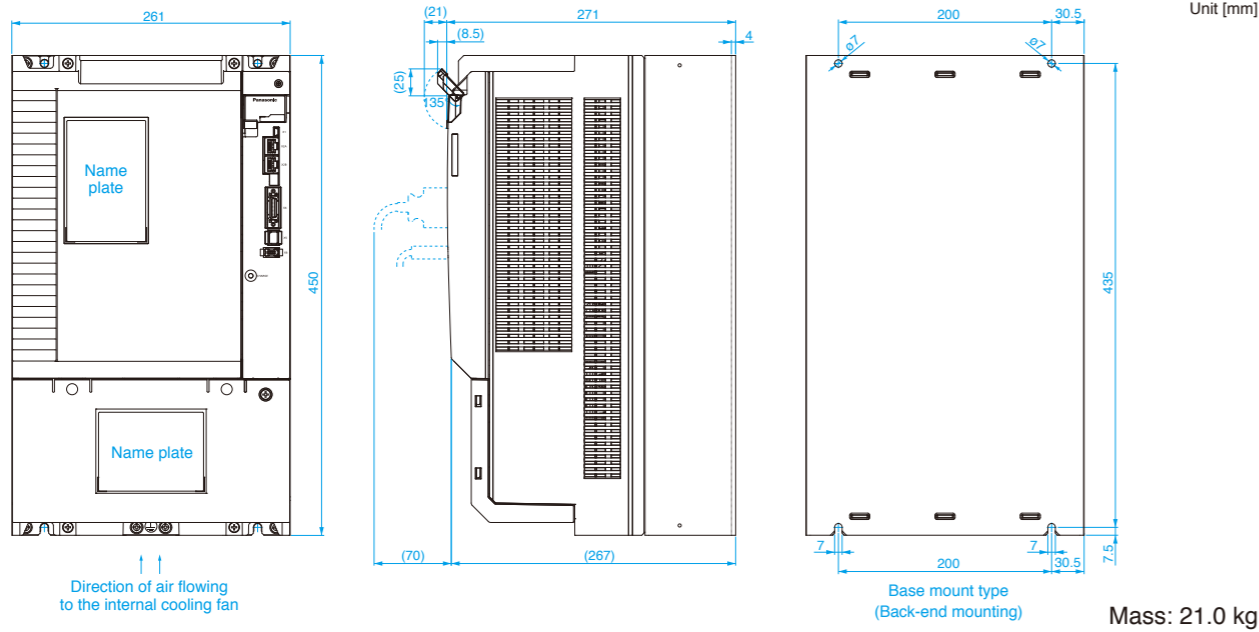


### G-frame (200 V/400 V)



### H-frame (200 V/400 V)



**URL**

Electric data of this product (Instruction Manual, CAD data) can be download from the following web site;  
<[http://industrial.panasonic.com/ww/i\\_e/25000/motor\\_fa\\_e/motor\\_fa\\_e.html](http://industrial.panasonic.com/ww/i_e/25000/motor_fa_e/motor_fa_e.html)>

**Contact :**



**ISO9001**  
Certificate  
division



**ISO14001**  
Certificate  
division

Panasonic Corporation,  
Appliances Company,  
Motor Business Division

1-1 Morofuku 7-chome, Daito, Osaka 574-0044, Japan  
Tel : +81-72-871-1212  
Fax : +81-72-870-3151

The contents of this catalog apply  
to the products as of May 2014.

*EtherCAT communication driver* **EtherCAT**  
**MINAS A5B**

Panasonic Corporation, Appliances Company, Motor Business Division

[http://industrial.panasonic.com/ww/i\\_e/25000/motor\\_fa\\_e/motor\\_fa\\_e.html](http://industrial.panasonic.com/ww/i_e/25000/motor_fa_e/motor_fa_e.html)

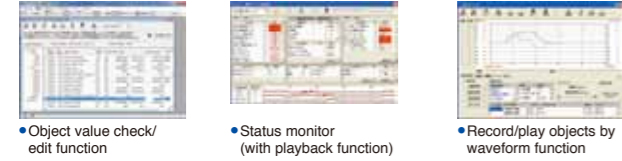
# EtherCAT communication driver MINAS A5B series

## High-Performance

- Frequency response: **2300 Hz**
- Supports network communication “**EtherCAT**”.
- High-Speed **100 Mbps**
- Real-time auto tuning function, Anti-vibration filters are available.

## Operability

- Smallest **EtherCAT** drive in market.
- Supports pc setup software “**PANATERM**”



## Driver line-up

Drive power supply	Motor rated output (Because there is the case that is different from the part number in the table by the motor, please check the combination in the catalog of the A5 series always.)										
	50 W	100 W	200 W	400 W	750 W	1 kW to 1.5 kW	2 kW	3 kW	4 kW to 5 kW	7.5 kW	11 kW to 15 kW
Single phase AC100 V to 120 V	MADH T1105 B**	MADH T1107 B**	MBDH T2110 B**	MCDH T3120 B**							
Single/3-phase AC200 V to 240 V	MADH T1505 B**	MADH T1507 B**	MBDH T2510 B**	MCDH T3520 B**	MDDH T5540 B**						
3-phase AC200 V to 230 V							MEDH T7364 B**	MFDH TA390 B**	MFDH TB3A2 B**	MGDH TC3B4 B**	MHDH TC3B4 B**
3-phase AC380 V to 480 V					MDDH T2412 B**	MDDH T3420 B**	MEDH T4430 B**	MFDH T5440 B**	MFDH TA464 B**	MGDH TB4A2 B**	MHDH TB4A2 B**

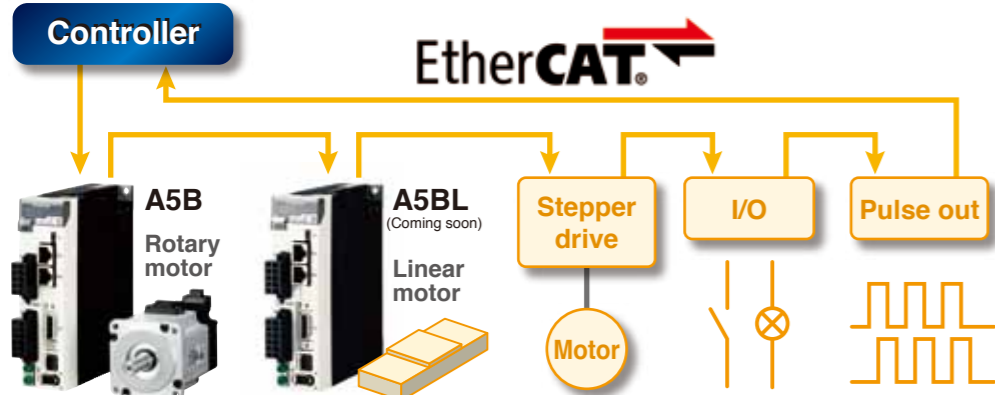
Symbols of part number **M A D H T 1 5 0 5 B \*\***

Frame symbol					
Symbol	Frame	Symbol	Frame	Symbol	Frame
A	A-frame	D	D-frame	G	G-frame
B	B-frame	E	E-frame	H	H-frame
C	C-frame	F	F-frame		

Supply voltage specifications	
Symbol	Specifications
1	Single phase, 100 V
3	3-phase, 200 V
4	3-phase, 400 V
5	Single/3-phase, 200 V

Special specifications	
Symbol	Specifications
A1	For rotary motor(standard)
O1	For rotary motor+safety circuit I/F (Coming soon)
L1	For linear motor (Coming soon)
91	For linear motor+safety circuit I/F (Coming soon)

## System configuration example

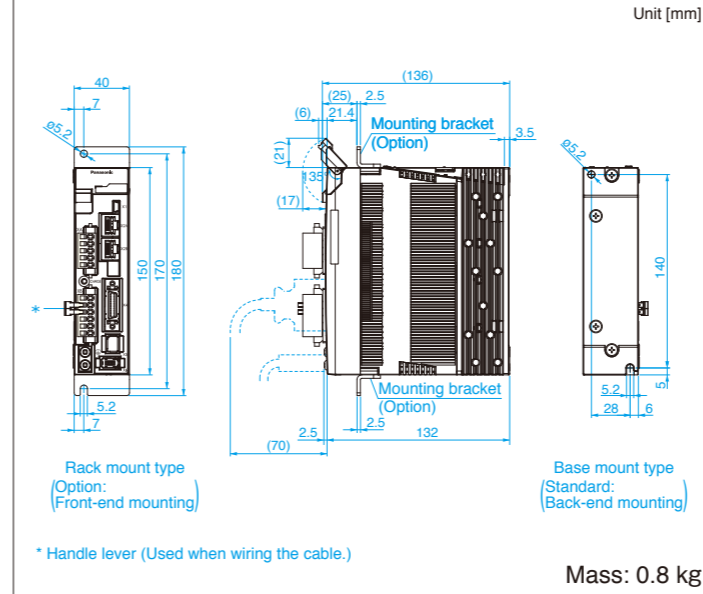


## EtherCAT specification

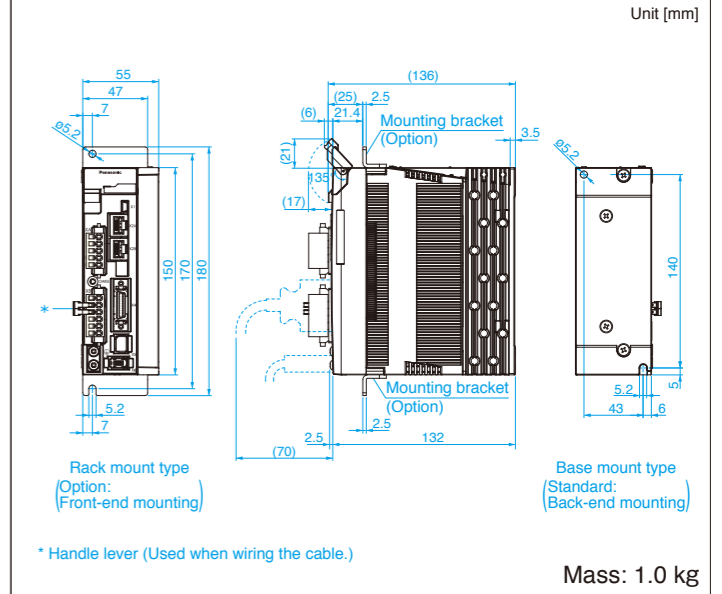
Device profile	CoE (CANOpen over EtherCAT)
Control mode	csp, pp, hm, csv, cst, pv, tq
hm method (homing mode)	1 to 14, 17 to 30, 33, 34, 35, 37
Synchronized mode	DC(Synch.), SM2(Synch.) FreeRun(Non-synch.)
Minimum cycle time	250 μs

## Dimensions of Driver

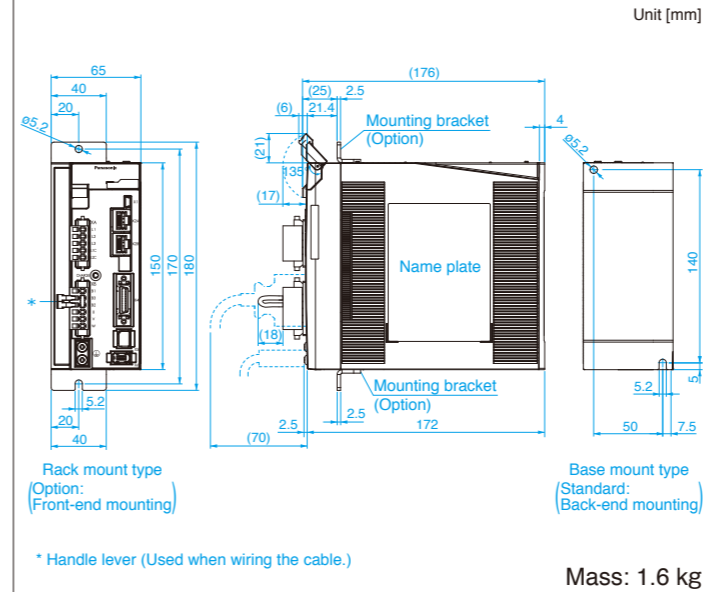
### A-frame (100 V/200 V)



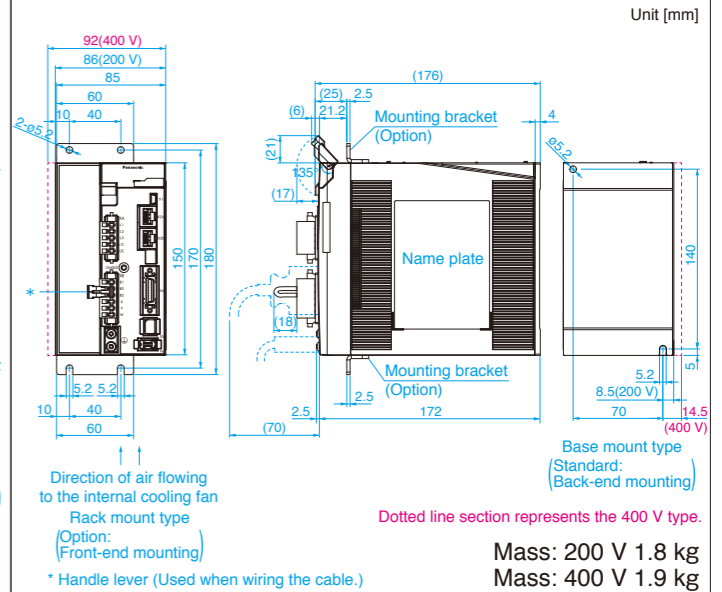
### B-frame (100 V/200 V)



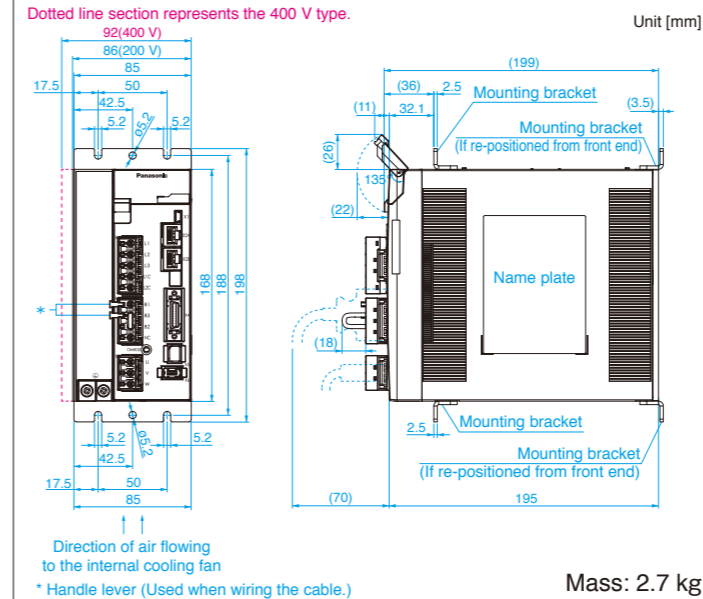
### C-frame (100 V/200 V)



### D-frame (200 V/400 V)



### E-frame (200 V/400 V)



### F-frame (200 V/400 V)

