



■ Features :

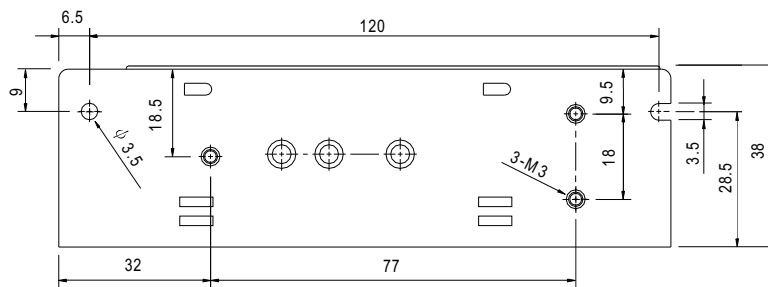
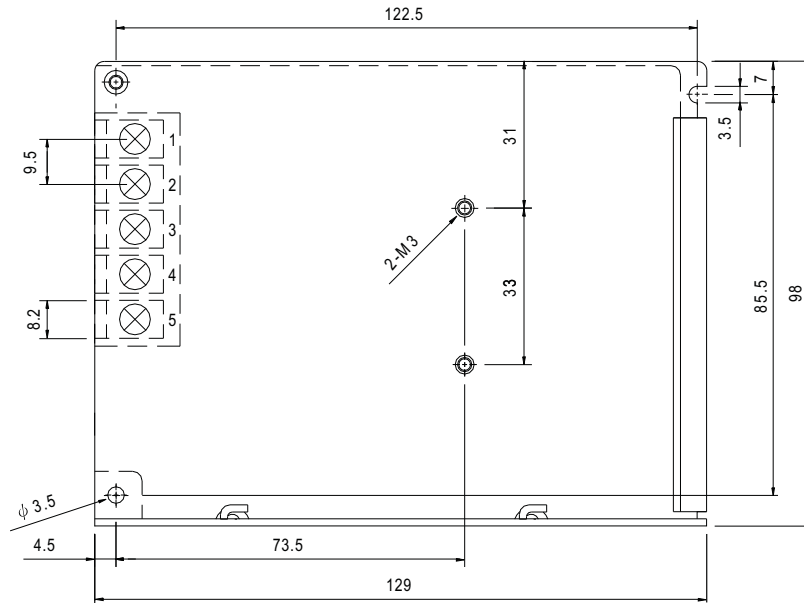
- AC input range selected by switch
- Protections: Short circuit/Over load
- Cooling by free air convection
- LED indicator for power on
- Fixed switching frequency at 37KHz
- 1 year warranty

SPECIFICATION

| MODEL | S-35-5 | S-35-12 | S-35-15 | S-35-24 | |
|----------------------------|--------------------------------------------------------------------------------------------------------------------------------------------------------------------------------------------------------------------------------------------------------------------------------------------------------------------------------------------------------------------------|----------------------------------------------------------------------------------------------------------------------------------------|------------------------|--------------|--------------|
| OUTPUT | DC VOLTAGE | 5V | 12V | 15V | 24V |
| | RATED CURRENT | 7A | 3A | 2.4A | 1.5A |
| | CURRENT RANGE | 0 ~ 7A | 0 ~ 3A | 0 ~ 2.4A | 0 ~ 1.5A |
| | RATED POWER | 35W | 36W | 36W | 36W |
| | RIPPLE & NOISE (max.) Note.2 | 75mVp-p | 100mVp-p | 100mVp-p | 100mVp-p |
| | VOLTAGE ADJ. RANGE | 4.75 ~ 5.5V | 10.8 ~ 13.2V | 13.5 ~ 16.5V | 22.6 ~ 26.4V |
| | VOLTAGE TOLERANCE Note.3 | ±2.0% | ±1.0% | ±1.0% | ±1.0% |
| | LINE REGULATION | ±0.5% | ±0.5% | ±0.5% | ±0.5% |
| | LOAD REGULATION | ±1.0% | ±0.5% | ±0.5% | ±0.5% |
| SETUP, RISE, HOLD TIME | 200ms, 100ms, 30ms at full load | | | | |
| INPUT | VOLTAGE RANGE | 85 ~ 132VAC / 170 ~ 264VAC selected by switch 240 ~ 370VDC | | | |
| | FREQUENCY RANGE | 47 ~ 63Hz | | | |
| | EFFICIENCY(Typ.) | 70% | 76% | 78% | 78% |
| | AC CURRENT | 0.8A/115VAC 0.45A/230VAC | | | |
| | INRUSH CURRENT(max.) | COLD START 18A/115VAC 36A/230VAC | | | |
| | LEAKAGE CURRENT | <2mA / 240VAC | | | |
| PROTECTION | OVER LOAD | 105 ~ 150% rated output power Protection type : Fold back current limiting, recovers automatically after fault condition is removed | | | |
| | WORKING TEMP. | -10 ~ +60°C (Refer to output load derating curve) | | | |
| ENVIRONMENT | WORKING HUMIDITY | 20 ~ 90% RH non-condensing | | | |
| | STORAGE TEMP., HUMIDITY | -20 ~ +85°C, 10 ~ 95% RH | | | |
| | TEMP. COEFFICIENT | ±0.03%/°C (0 ~ 50°C) | | | |
| | VIBRATION | 10 ~ 500Hz, 2G 10min./1cycle, period for 60min. each along X, Y, Z axes | | | |
| | SAFETY & EMC | SAFETY STANDARDS | Design refer to UL1012 | | |
| WITHSTAND VOLTAGE | | I/P-O/P:1.5KVAC I/P-FG:1.5KVAC O/P-FG:0.5KVAC | | | |
| ISOLATION RESISTANCE | | I/P-O/P, I/P-FG, O/P-FG:100M Ohms/500VDC | | | |
| EMI CONDUCTION & RADIATION | | Design refer to FCC Part15 J Conduction Class B | | | |
| OTHERS | MTBF | 435.2K hrs min. MIL-HDBK-217F (25°C) | | | |
| | DIMENSION | 129*98*38mm (L*W*H) | | | |
| | PACKING | 0.41Kg; 30pcs/13.4Kg/0.86CUFT | | | |
| NOTE | <p>1. All parameters NOT specially mentioned are measured at 230VAC input, rated load and 25°C of ambient temperature.</p> <p>2. Ripple & noise are measured at 20MHz of bandwidth by using a 12" twisted pair-wire terminated with a 0.1uf & 47uf parallel capacitor.</p> <p>3. Tolerance : includes set up tolerance, line regulation and load regulation.</p> | | | | |

■ Mechanical Specification

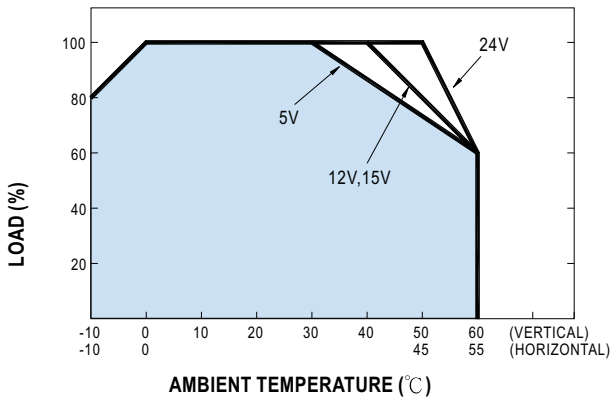
Case No. 903 Unit:mm



Terminal Pin. No Assignment

| Pin No. | Assignment | Pin No. | Assignment |
|---------|------------|---------|--------------|
| 1 | AC/L | 4 | DC OUTPUT -V |
| 2 | AC/N | 5 | DC OUTPUT +V |
| 3 | FG \perp | | |

■ Output Derating



■ Static Characteristics (24V)

